

GBP SERIES Air Driven Gas Booster

Single Acting Single 160 mm Air Head

Technical Data Sheet

Gas booster GBP6.4



GBP6.4

single acting, single air drive head, single stage

- Aluminium alloy wetted materials of construction
- Specialised construction materials available
- PTFE pressure seals as standard
- Separation between gas and pneumatic seals
- Airline lubrication required
- 120mm stroke reduces cycle rate and increases life
- Suitable for most hazardous areas
- Available as a complete packaged system PROPAC

Technical Data:

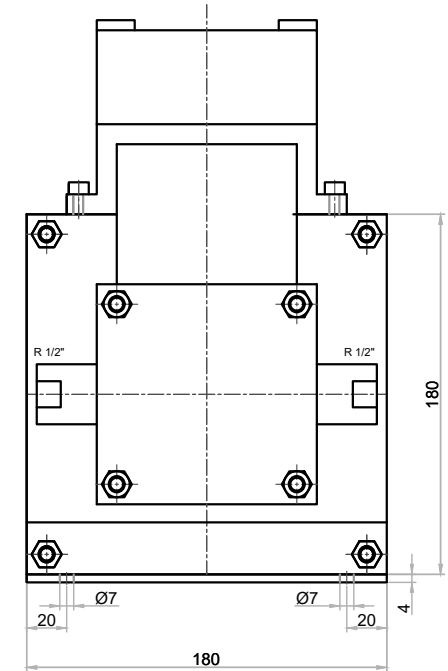
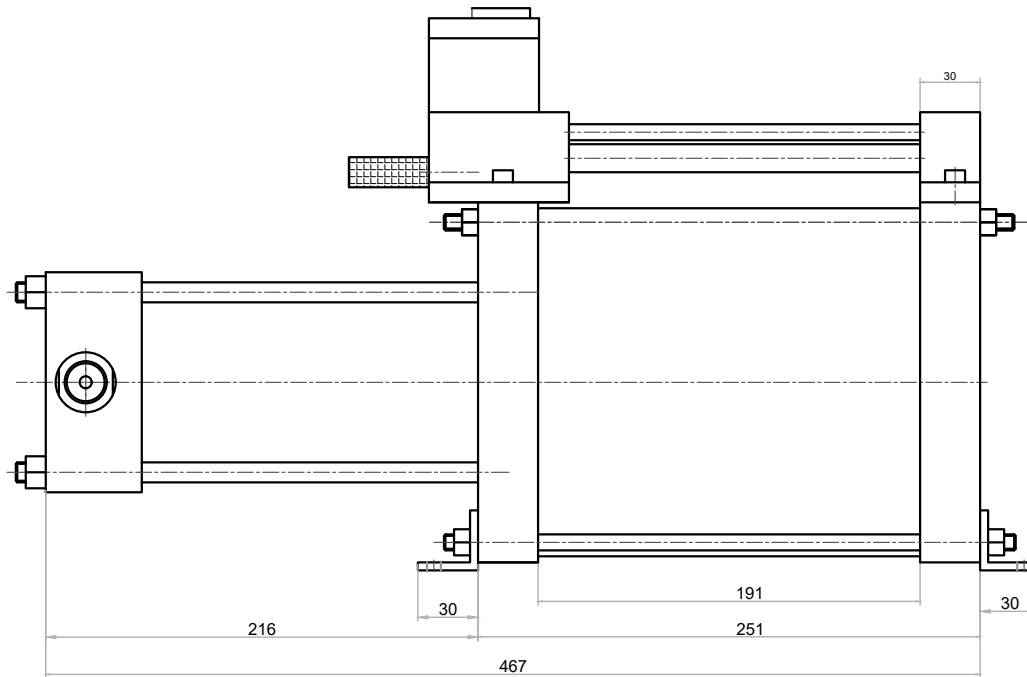
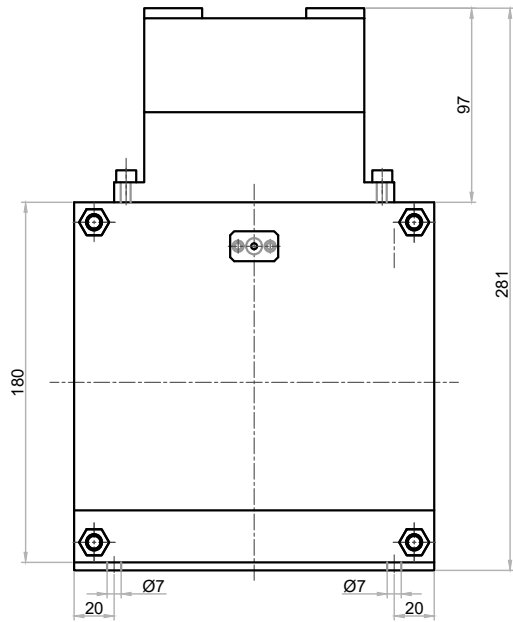
Air drive pressure:	2 - 8 bar
Pressure ratio:	1:6.4
Minimum suction pressure:	2 bar
Maximum suction pressure:	50 bar
Minimum outlet pressure:	14 bar
Maximum outlet pressure:	50 bar
Displacement volume / double stroke:	373 cm ³
Maximum cycles:	100/min
Stall pressure:	Pressure ratio x Air drive pressure

Air drive:	3/8 BSP
Connection:	Inlet / Outlet: 3/8 BSP
Maximum operating temperature:	60° C
Net weight:	15 kg

Approximate Dimensions:

Length:	467 mm
Width:	180 mm
Height:	281 mm

HİDROKRAFT
Dimension drawing
Type : GBP6.4



GBP6.4

Air drive inlet = G3/8 (3/4 BSP)

Gas inlet = G1/2 (1/2 BSP)

Gas outlet = G1/2 (1/2 BSP)

hidrokraft